

INSTALLER: LEAVE THIS MANUAL WITH THE APPLIANCE.
CONSUMER: RETAIN THIS MANUAL FOR FUTURE REFERENCE.
NEVER LEAVE CHILDREN OR OTHER AT RISK INDIVIDUALS ALONE WITH THE APPLIANCE



INSTALLATION AND OPERATING INSTRUCTIONS

CERTIFIED UNDER CANADIAN AND AMERICAN NATIONAL STANDARDS: CSA 2.33, ANSI Z21.50 FOR VENTED GAS FIREPLACE.

CERTIFIED FOR CANADA AND UNITED STATES USING ANSI/CSA METHODS.

SAFETY INFORMATION

WARNING

If the information in these instructions are not followed exactly, a fire or explosion may result causing property damage, personal injury or loss of life.

- Do not store or use gasoline or other flammable vapors and liquids in the vicinity of this or any other appliance.
- **WHAT TO DO IF YOU SMELL GAS:**
 - Do not try to light any appliance.
 - Do not touch any electrical switch; do not use any phone in your building.
 - Immediately call your gas supplier from a neighbour's phone. Follow the gas supplier's instructions.
 - If you cannot reach your gas supplier, call the fire department.
- Installation and service must be performed by a qualified installer, service agency or the supplier.

This appliance may be installed in an aftermarket, permanently located, manufactured home (USA only) or mobile home, where not prohibited by local codes.

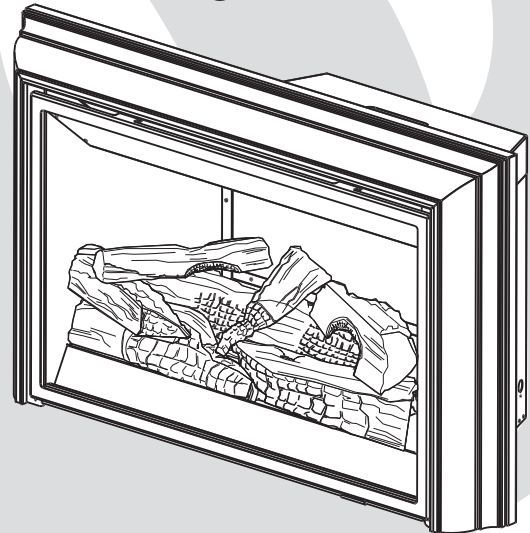
This appliance is only for use with the type of gas indicated on the rating plate. This appliance is not convertible for use with other gases, unless a certified kit is used.

APPLY SERIAL NUMBER LABEL FROM CARTON



GDI-44N NATURAL GAS

GDI-44P PROPANE



WARNING

HOT GLASS WILL CAUSE BURNS.

DO NOT TOUCH GLASS UNTIL COOLED.

NEVER ALLOW CHILDREN TO TOUCH GLASS.



Wolf Steel Ltd., 24 Napoleon Rd., Barrie, ON, L4M 0G8 Canada /
103 Miller Drive, Crittenden, Kentucky, USA, 41030

Phone (705)721-1212 • Fax (705)722-6031 • www.napoleonfireplaces.com • ask@napoleonproducts.com

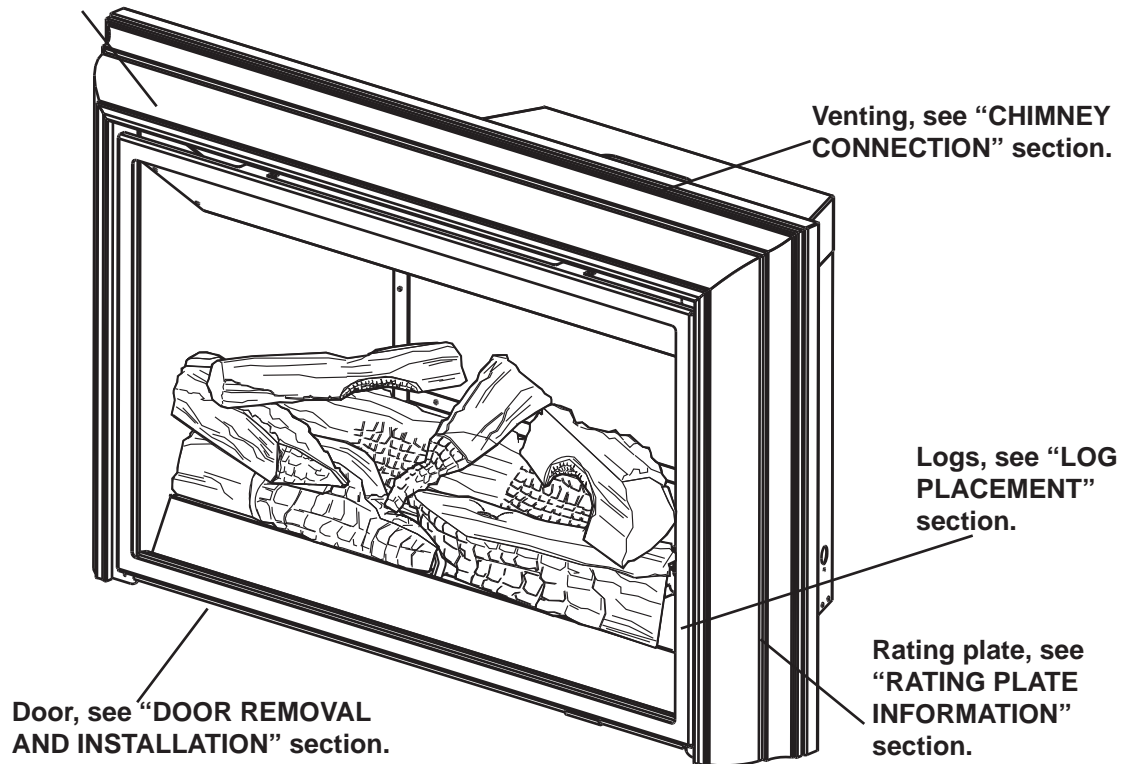
TABLE OF CONTENTS

1.0	INSTALLATION OVERVIEW	2
2.0	INTRODUCTION	3
2.1	DIMENSIONS	4
2.2	GENERAL INSTRUCTIONS	5
2.3	GENERAL INFORMATION	6
2.4	RATING PLATE INFORMATION	6
3.0	INSTALLATION	7
3.1	LEVELLING THE APPLIANCE	7
3.2	CHIMNEY CONNECTION	8
3.3	GAS INSTALLATION	10
3.4	OPTIONAL ACCESSORY REQUIREMENTS	10
4.0	FINISHING	11
4.1	MINIMUM MANTEL CLEARANCE	11
4.2	DOOR REMOVAL AND INSTALLATION	12
4.3	LOG PLACEMENT	13
4.4	GLOWING EMBERS	13
4.5	ALUMINUM EXTRUSION TRIM KIT INSTALLATION	14
5.0	REPLACEMENT BLOWER INSTALLATION	15
6.0	OPERATION	16
6.1	REAR BURNER CONTROL	16
7.0	ADJUSTMENTS	17
7.1	VENT RESTRICTION	17
7.2	PILOT BURNER ADJUSTMENT	17
7.3	VENTURI ADJUSTMENT	18
7.4	FLAME CHARACTERISTICS	18
8.0	MAINTENANCE	19
8.1	DOOR GLASS REPLACEMENT	20
8.2	CARE OF GLASS	20
8.3	CARE OF PLATED PARTS	20
9.0	REPLACEMENTS	21
10.0	TROUBLE SHOOTING	24
11.0	WARRANTY	26
12.0	SERVICE HISTORY	27

NOTE: Changes, other than editorial, are denoted by a vertical line in the margin.

1.0 INSTALLATION OVERVIEW

Trim, see “ALUMINUM EXTRUSION TRIM KIT INSTALLATION” section.



2.0 INTRODUCTION

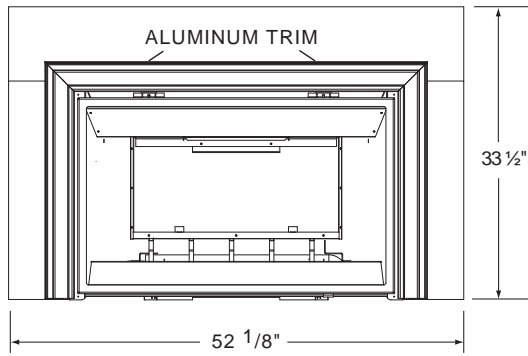
WARNING

- **THIS APPLIANCE IS HOT WHEN OPERATED AND CAN CAUSE SEVERE BURNS IF CONTACTED.**
- **ANY CHANGES TO THIS APPLIANCE OR IT'S CONTROLS CAN BE DANGEROUS AND IS PROHIBITED.**
- Do not operate appliance before reading and understanding operating instructions. Failure to operate appliance according to operating instructions could cause fire or injury.
- Risk of fire or asphyxiation do not operate appliance with fixed glass removed.
- Do not connect 110 volts to the control valve.
- Risk of burns. The appliance should be turned off and cooled before servicing.
- Do not install damaged, incomplete or substitute components.
- Risk of cuts and abrasions. Wear protective gloves and safety glasses during installation. Sheet metal edges may be sharp.
- Do not burn wood or other materials in this appliance.
- Children and adults should be alerted to the hazards of high surface temperature and should stay away to avoid burns or clothing ignition.
- Young children should be carefully supervised when they are in the same room as the appliance. Toddlers, young children and others may be susceptible to accidental contact burns. A physical barrier is recommended if there are at risk individuals in the house. To restrict access to an appliance or stove, install an adjustable safety gate to keep toddlers, young children and other at risk individuals out of the room and away from hot surfaces.
- Clothing or other flammable material should not be placed on or near the appliance.
- Due to high temperatures, the appliance should be located out of traffic and away from furniture and draperies.
- Ensure you have incorporated adequate safety measure to protect infants/toddlers from touching hot surfaces.
- Even after the appliance is out, the glass and/or screen will remain hot for an extended period of time.
- Check with your local hearth specialty dealer for safety screens and hearth guards to protect children from hot surfaces. These screens and guards must be fastened to the floor.
- Any safety screen or guard removed for servicing must be replaced prior to operating the appliance.
- The appliance is a vented gas-fired appliance. Do not burn wood or other materials in the appliance.
- It is imperative that the control compartments, burners and circulating blower and its passageway in the appliance and venting system are kept clean. The appliance and its venting system should be inspected before use and at least annually by a qualified service person. More frequent cleaning may be required due to excessive lint from carpeting, bedding material, etc. The appliance area must be kept clear and free from combustible materials, gasoline and other flammable vapors and liquids.
- Under no circumstances should this appliance be modified.
- This appliance must not be connected to a chimney flue pipe serving a separate solid fuel burning appliance.
- Do not use this appliance if any part has been under water. Immediately call a qualified service technician to inspect the appliance and to replace any part of the control system and any gas control which has been under water.
- Do not operate the appliance with the glass door removed, cracked or broken. Replacement of the glass should be done by a licensed or qualified service person.
- Do not strike or slam shut the appliance glass door.
- When equipped with pressure relief doors, they must be kept closed while the appliance is operating to prevent exhaust fumes containing carbon monoxide, from entering into the home. Temperatures of the exhaust escaping through these openings can also cause the surrounding combustible materials to overheat and catch fire. Only doors / optional fronts certified with the unit are to be installed on the appliance.
- Only doors / optional fronts certified with the unit are to be installed on the appliance.
- Keep the packaging material out of reach of children and dispose of the material in a safe manner. As with all plastic bags, these are not toys and should be kept away from children and infants.
- As with any combustion appliance, we recommend having your appliance regularly inspected and serviced as well as having a Carbon Monoxide Detector installed in the same area to defend you and your family against Carbon Monoxide.
- Ensure clearances to combustibles are maintained when building a mantel or shelves above the appliance. Elevated temperatures on the wall or in the air above the appliance can cause melting, discolouration or damage to decorations, a T.V. or other electronic components.
- This appliance uses and requires a fast acting thermocouple. Replace only with a fast acting thermocouple supplied by Wolf Steel Ltd.

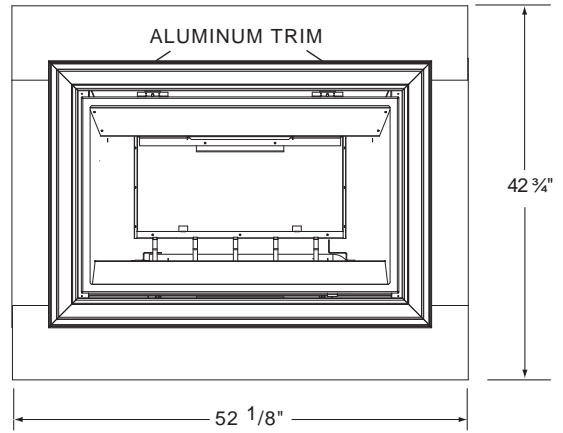
3.1C

2.1 DIMENSIONS

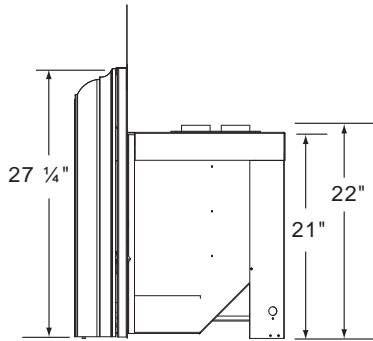
3 SIDED BACKER PLATE - FRONT VIEW



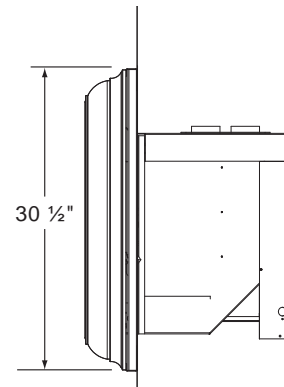
4 SIDED BACKER PLATE - FRONT VIEW



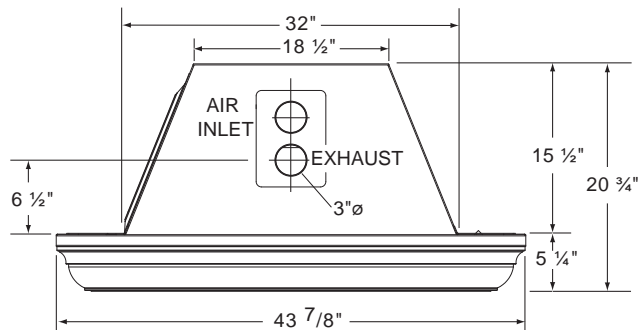
3 SIDED BACKER PLATE - SIDE VIEW



4 SIDED BACKER PLATE - SIDE VIEW



TOP VIEW



2.2 GENERAL INSTRUCTIONS

! WARNING
ALWAYS LIGHT THE PILOT WHETHER FOR THE FIRST TIME OR IF THE GAS SUPPLY HAS RUN OUT, WITH THE GLASS DOOR OPENED OR REMOVED.
PROVIDE ADEQUATE CLEARANCE FOR SERVICING AND OPERATING THE APPLIANCE.
PROVIDE ADEQUATE VENTILATION.
NEVER OBSTRUCT THE FRONT OPENING OF THE APPLIANCE.
OBJECTS PLACED IN FRONT OF THE APPLIANCE MUST BE KEPT A MINIMUM OF 48" FROM THE FRONT FACE OF THE APPLIANCE.
SURFACES AROUND AND ESPECIALLY ABOVE THE APPLIANCE CAN BECOME HOT. AVOID CONTACT WHEN THE APPLIANCE IS OPERATING.
FIRE RISK. EXPLOSION HAZARD.
HIGH PRESSURE WILL DAMAGE VALVE. DISCONNECT GAS SUPPLY PIPING BEFORE PRESSURE TESTING GAS LINE AT TEST PRESSURES ABOVE 1/2 PSIG. CLOSE THE MANUAL SHUT-OFF VALVE BEFORE PRESSURE TESTING GAS LINE AT TEST PRESSURES EQUAL TO OR LESS THAN 1/2 PSIG.
USE ONLY WOLF STEEL APPROVED OPTIONAL ACCESSORIES AND REPLACEMENT PARTS WITH THIS APPLIANCE. USING NON-LISTED ACCESSORIES (BLOWERS, DOORS, LOUVRES, TRIMS, GAS COMPONENTS, VENTING COMPONENTS, ETC.) COULD RESULT IN A SAFETY HAZARD AND WILL VOID THE WARRANTY AND CERTIFICATION.

THIS GAS APPLIANCE SHOULD BE INSTALLED AND SERVICED BY A QUALIFIED INSTALLER to conform with local codes. Installation practices vary from region to region and it is important to know the specifics that apply to your area, for example in Massachusetts State:

- This product must be installed by a licensed plumber or gas fitter when installed within the commonwealth of Massachusetts.
- The appliance damper must be removed or welded in the open position prior to installation of a appliance insert or gas log.
- The appliance off valve must be a "T" handle gas cock.
- The flexible connector must not be longer than 36 inches.
- A Carbon Monoxide detector is required in all rooms containing gas fired appliances.
- The appliance is not approved for installation in a bedroom or bathroom unless the unit is a direct vent sealed combustion product.

The installation must conform with local codes or, in absence of local codes, the National Gas and Propane Installation Code CSA B149.1 in Canada, or the National Fuel Gas Code, ANSI Z223.1 / NFPA 54 in the United States. Suitable for mobile home installation if installed in accordance with the current standard CAN/CSA Z240MH Series, for gas equipped mobile homes, in Canada or ANSI Z223.1 and NFPA 54 in the United States.

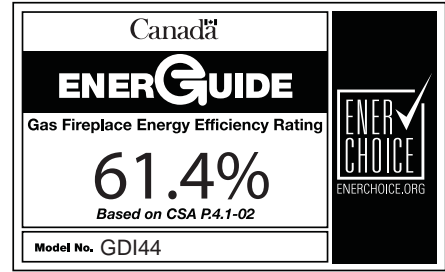


Some appliances have optional fans or blowers. If an optional fan or blower is installed, the junction box must be electrically connected and grounded in accordance with local codes, use the current CSA C22.1 Canadian Electrical Code in Canada or the ANSI/NFPA 70 National Electrical code in the United States.

2.3 GENERAL INFORMATION

FOR YOUR SATISFACTION, THIS APPLIANCE HAS BEEN TEST-FIRED TO ASSURE ITS OPERATION AND QUALITY!

GDI44		
	NG	LP
Altitude (FT)	0-4,500	0-4,500
Max. Input (BTU/HR)	40,000	40,000
Max. Output (BTU/HR)	27,600	27,600
Efficiency (w/the fan on)	69%	69%
Min. Inlet Gas Supply Pressure	4.5" Water Column	11" Water Column
Max. Inlet Gas Supply Pressure	7" Water Column	13" Water Column
Manifold Pressure (Under Flow Conditions)	3.5" Water Column	10" Water Column



When the appliance is installed at elevations above 4,500ft, and in the absence of specific recommendations from the local authority having jurisdiction, the certified high altitude input rating shall be reduced at the rate of 4% for each additional 1,000ft.

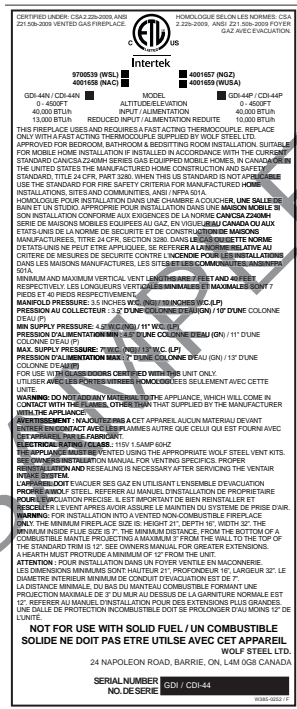
Expansion / contraction noises during heating up and cooling down cycles are normal and to be expected.

In order to achieve maximum turn down rate, the rear burner must be turned off. See Operating Instructions in the owner's manual for more information.

This appliance is not approved for closet or recessed installations. It is approved for bathroom, bedroom and bed-sitting room installations and is suitable for mobile homes. The natural gas model is suitable for installation in a mobile home that is permanently positioned on its site and fuelled with natural gas.

This appliance must be recessed into a vented noncombustible wood-burning fireplace (prefabricated or masonry) only.

2.4 RATING PLATE INFORMATION



INSTALLER: It is your responsibility to check off the appropriate box on the rating plate according to the model, venting and gas type of the appliance.

For rating plate location, see "INSTALLATION OVERVIEW" section.

This illustration is for reference only. Refer to the rating plate on the appliance for accurate information.

3.0 INSTALLATION

WARNING

RISK OF FIRE, MAINTAIN SPECIFIED AIR SPACE CLEARANCES TO VENT PIPE AND APPLIANCE.

Clean out ashes from the inside of the wood-burning appliance. Make sure that the chimney and wood-burning appliance are in a clean and sound condition and constructed of non-combustible materials. If necessary have any repair work done by a qualified person before installing the insert. Remove the existing appliance damper or lock into an open position.

Using screws, attach the appliance warning tag to the inside of the firebox of the appliance into which the insert is being installed.

The sheet-metal parts of the appliance, in which the gas appliance insert is to be installed, must not be cut.

If the wood-burning factory-built appliance has no gas access hole(s) provided, an access hole of 1½ inch or less may be drilled through the lower sides or bottom of the appliance in a proper workman like manner. This access hole must be plugged with non-combustible insulation after the gas supply line has been installed.

Ensure that existing chimney cleanouts fit properly.

The refractory, glass doors, screen rails, screen mesh and log grates may be removed from the existing appliance before installing the gas appliance insert.

Smoke shelves, shields and baffles may be removed if attached by mechanical fasteners.

The ventilation openings in the existing appliance may be obstructed by the backer plates, aluminium trim etc. but these parts are not to be applied so as to have an airtight seal.

WARNING: THIS FIREPLACE HAS BEEN CONVERTED FOR USE WITH A GAS FIREPLACE INSERT ONLY AND CANNOT BE USED FOR BURNING WOOD OR SOLID FUELS UNLESS ALL ORIGINAL PARTS HAVE BEEN REPLACED AND THE FIREPLACE IS RE-APPROVED BY THE AUTHORITY HAVING JURISDICTION.

ATTENTION: CE FOYER A ETE CONVERTI AFIN D'ETRE UTILISE SEULEMENT COMME FOYER ENCASTRE AU GAZ ET NE PEUT ETRE UTILISE POUR BRULER DU BOIS OU TOUT AUTRE COMBUSTIBLE SOLIDE, SANS QUE TOUTES LES PIECES ORIGINALES AIENT ETE REMPLACEES ET QUE LE FOYER SOIT APPROUVE DE NOUVEAU PAR LES AUTORITES AYANT JURISDICTION.

ADVERTENCIA: ESTA CHIMENEA SE REMODELO PARA USARSE SOLO CON UNA INSERCIÓN DE CHIMENEA A GAS Y NO PUEDE USARSE PARA QUEMAR MADERA NI COMBUSTIBLES SÓLIDOS, A MENOS QUE SE HAYAN REEMPLAZADO TODAS LAS PIEZAS ORIGINALES, Y LA AUTORIDAD JURISDICCIONAL LA HAYA VUELTO A APROBAR.

W385-0199_B

68.4A

3.1 LEVELLING THE APPLIANCE

Move the appliance close to its final position. This appliance is equipped with levelling screws located on the base. Level using the levelling screws. Levelling the appliance will eliminate rocking or excessive noise when the fan is in operation. Once the appliance is level, move it partially into place to allow for all connections to be made. It is not practical to level the appliance once it has been installed. Determine the required depth prior to installing the appliance and adjust the levelling screws accordingly.

67.2

3.2 CHIMNEY CONNECTION

Chimney installation must conform to both national and local code requirements. The chimney must be lined with one 2" or 3" diameter liner for intake and one 3" diameter liner for exhaust. The minimum and maximum vent lengths are 10 and 35 feet respectively. Recommended Napoleon® kits come in 3 lengths:

1-2" & 1-3" DOUBLE PLY ALUMINUM LINER-INLET AND EXHAUST & 2-3" TO 2" REDUCER:

GDI-2320KT VENT KIT 20FT
 GDI-2325KT VENT KIT 25FT
 GDI-2335KT VENT KIT 35FT

2-3" DOUBLE PLY ALUMINUM LINER-INLET AND EXHAUST:

GDI-320KT VENT KIT 20FT
 GDI-325KT VENT KIT 25 FT
 GDI-335KT VENT KIT 35 FT

While the liners must be continuous from the appliance to the chimney cap, to achieve the needed length, they may be coupled, using an aluminium coupler, provided installation is sealed & secured.

We recommend that exhaust vents that pass through unheated spaces, such as a garage or attic, be wrapped in a protective sleeve to minimize condensation and reverse flow symptoms.

This appliance is approved for use with a 2" liner for air intake and a 3" liner for exhaust. For best performance, however, it is recommended to use two 3" liners.

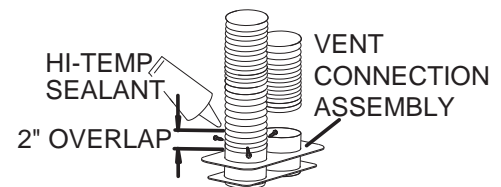
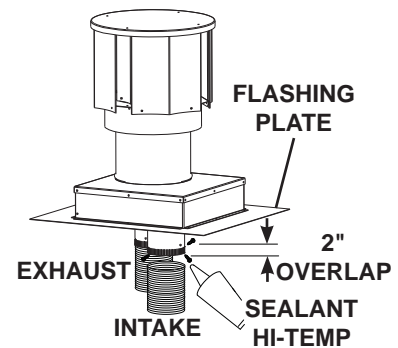
If a 2" liner is used for the intake, it is necessary to adjust the primary air shutter. See "Air Shutter Settings".

- A. OUTSIDE: Slip the one end of a liner a minimum of 2" over the collar of the air terminal. Secure using 3 screws. Then seal the joint and screw heads with high temperature sealant. Repeat with the other liner to the exhaust collar of the terminal.

NOTE: Connect the supplied 3' of stainless steel flex liner to the exhaust liner (already attached to the terminal) using the coupler (also supplied). Secure and seal before dropping down the chimney.

- B. Gently stretch the liners to the required lengths and appliance into the chimney. Place the terminal onto the top of the chimney cap and fit the flashing plate to suit. Make weather tight by sealing with caulking (not supplied) and fasten to the chimney with screws and plugs (not supplied).

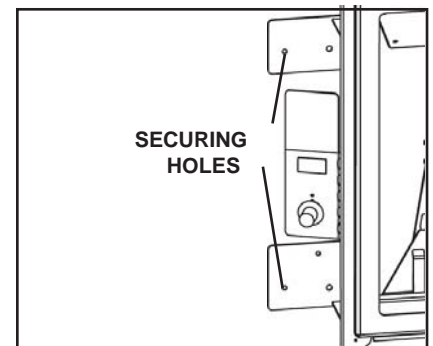
- C. **NOTE:** If there is not enough ceiling height between the fireplace and the appliance to allow the flex liner connection on the top of the appliance to be made, see "D". If there is enough ceiling height, connect the 3" stainless steel flex liner to the exhaust collar closest to the top front on the appliance. Connect the intake flex liner to the remaining rear collar. Secure and seal.




- D. Both the log support and the back wall must be removed in order to gain access to the vent connection assembly. Both the back wall and log support are detached by removing the 12 perimeter screws of the back wall and the 3 screws located at the back of the log support. Remove the vent connection assembly. **NOTE: The vent connection assembly collars are not specific until the stainless steel flex liner has been attached to one side. This now designates the side as exhaust. The exhaust collar must be positioned closest to the front opening of the appliance. Secure and seal the flex liners.**

- E. To reinstall the vent connection assembly, reach in through the appliance and manoeuvre the vent connection assembly through the opening in the firebox top. Take care not to damage the gasket. Secure the assembly using the four studs and ¼-20 hex nuts.

- F. Reinstall the back wall, followed by the log support, using the perimeter screws removed in "D". The appliance may now be pushed into its final position inside the wood burning fireplace. Secure the appliance to the fireplace using perforated strapping attached to the two securing holes on either side of the appliance as shown. We recommend that the trim be installed before the appliance is placed into its final position.



3.3 GAS INSTALLATION

 WARNING
RISK OF FIRE, EXPLOSION OR ASPHYXIATION. ENSURE THERE ARE NO IGNITION SOURCES SUCH AS SPARKS OR OPEN FLAMES.
SUPPORT GAS CONTROL WHEN ATTACHING GAS SUPPLY PIPE TO PREVENT DAMAGING GAS LINE.
ALWAYS LIGHT THE PILOT WHETHER FOR THE FIRST TIME OR IF THE GAS SUPPLY HAS RUN OUT WITH THE GLASS DOOR OPENED OR REMOVED. PURGING OF THE GAS SUPPLY LINE SHOULD BE PERFORMED BY A QUALIFIED SERVICE TECHNICIAN. ASSURE THAT A CONTINUOUS GAS FLOW IS AT THE BURNER BEFORE CLOSING THE DOOR. ENSURE ADEQUATE VENTILATION. FOR GAS AND ELECTRICAL LOCATIONS, SEE "DIMENSION" SECTION.
ALL GAS CONNECTIONS MUST BE CONTAINED WITHIN THE APPLIANCE WHEN COMPLETE.
HIGH PRESSURE WILL DAMAGE VALVE. DISCONNECT GAS SUPPLY PIPING BEFORE TESTING GAS LINE AT TEST PRESSURES ABOVE 1/2 PSIG.
VALVE SETTINGS HAVE BEEN FACTORY SET, DO NOT CHANGE.

Installation and servicing to be done by a qualified installer.

- A. Move the appliance into position and secure.
- B. If equipped with a flex connector the appliance is designed to accept a 1/2" gas supply. Without the connector it is designed to accept a 3/8" gas supply. The appliance is equipped with a manual shut off valve to turn off the gas supply to the appliance.
- C. Connect the gas supply in accordance to local codes. In the absence of local codes, install to the current CAN/CSA-B149.1 Installation Code in Canada or to the current National Fuel Gas Code, ANSI Z223.1 / NFPA 54 in the United States.
- D. When flexing any gas line, support the gas valve so that the lines are not bent or kinked.
- E. The gas line flex-connector should be installed to provide sufficient movement for shifting the burner assembly on it's side to aid with servicing components.
- F. Check for gas leaks by brushing on a soap and water solution. **Do not use open flame.**

30.1A

For ease of accessibility, an optional remote wall switch or millivolt thermostat may be installed in a convenient location. Route 2-strand solid core millivolt wire from the gas appliance to the wall switch / millivolt thermostat. The recommended maximum lead length depends on the wire size:

<u>WIRE SIZE</u>	<u>MAX. LENGTH</u>
14gauge	100 feet
16gauge	60 feet
18gauge	40 feet

Do not connect either the wall switch, thermostat or gas valve to electricity (110 VOLTS).

3.4 OPTIONAL ACCESSORY REQUIREMENTS

- A. This appliance may be used with a wall switch, wall mounted thermostat and/or a remote control.
- B. Wiring for optional Napoleon® approved accessories should be done now to avoid reconstruction. Follow instructions that come with those accessories.

4.0 FINISHING

The minimum fireplace opening size in which the appliance is to be installed is:

HEIGHT 21 inches WIDTH 32 inches DEPTH 16 inches
The minimum allowable chimney flue size is 7" round.

The minimum distance, from the bottom of a combustible mantle projecting 3" maximum from the wall to the top of the aluminium trim, is 12". A hearth must protrude a minimum of 12" from the appliance.

4.1 MINIMUM MANTEL CLEARANCE

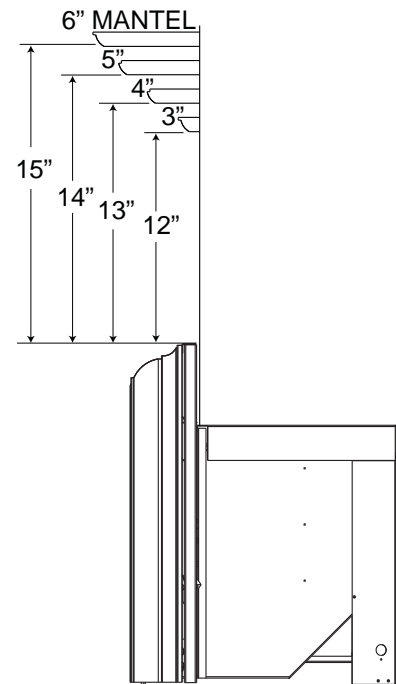
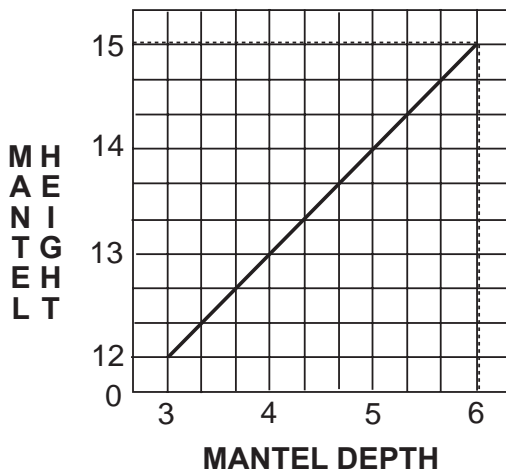
! WARNING

RISK OF FIRE, MAINTAIN ALL SPECIFIED AIR SPACE CLEARANCES TO COMBUSTIBLES. FAILURE TO COMPLY WITH THESE INSTRUCTIONS MAY CAUSE A FIRE OR CAUSE THE APPLIANCE TO OVERHEAT. ENSURE ALL CLEARANCES (I.E. BACK, SIDE, TOP, VENT, MANTEL, FRONT, ETC.) ARE CLEARLY MAINTAINED.

WHEN USING PAINT OR LACQUER TO FINISH THE MANTEL, THE PAINT OR LACQUER MUST BE HEAT RESISTANT TO PREVENT DISCOLOURATION.

73.1

This can vary according to the mantle depth. Use the graph to help evaluate the clearance needed.



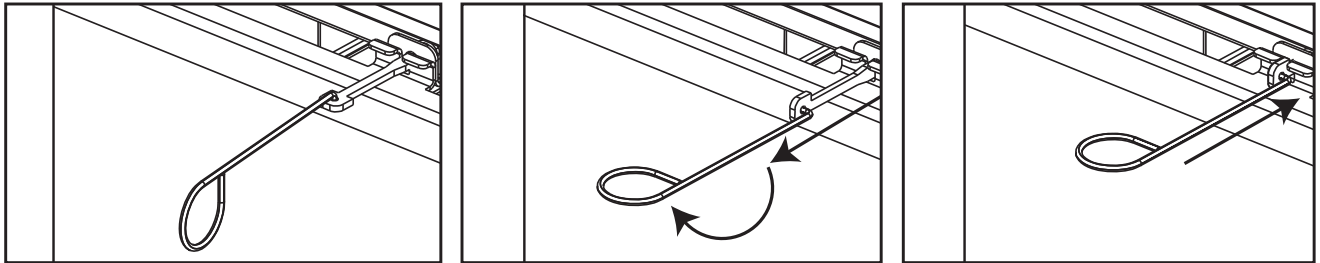
! WARNING
RISK OF FIRE!
NEVER OBSTRUCT THE FRONT OPENING OF THE APPLIANCE.
THE FRONT OF THE APPLIANCE MUST BE FINISHED WITH ANY NON-COMBUSTIBLE MATERIALS SUCH AS BRICK, MARBLE, GRANITE, ETC., PROVIDED THAT THESE MATERIALS DO NOT GO BELOW THE SPECIFIED DIMENSION AS ILLUSTRATED.
DO NOT STRIKE, SLAM OR SCRATCH GLASS. DO NOT OPERATE APPLIANCE WITH GLASS REMOVED, CRACKED, BROKEN OR SCRATCHED.
FACING AND/OR FINISHING MATERIAL MUST NEVER OVERHANG INTO THE APPLIANCE OPENING.
THE GLASS DOOR ASSEMBLY IS DESIGNED TO PIVOT FORWARD WHEN RELIEVING EXCESS PRESSURE THAT MIGHT OCCUR. FINISHING OR OTHER MATERIALS MUST NOT BE LOCATED IN THE OPENING SURROUNDING THE DOOR AS THIS WILL INTERFERE WITH THE DOORS ABILITY TO RELIEVE THE PRESSURE.

72.6

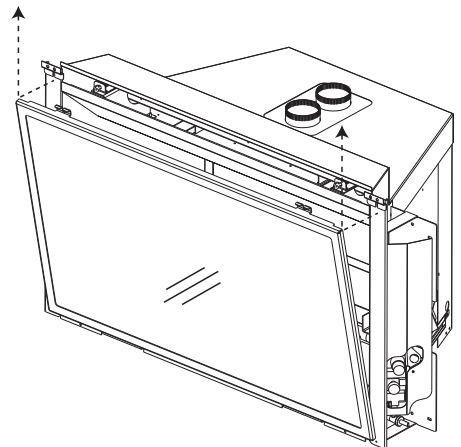
4.2 DOOR REMOVAL AND INSTALLATION

! WARNING
GLASS MAY BE HOT, DO NOT TOUCH GLASS UNTIL COOLED.
THE DOOR LATCHES ARE PART OF A SAFETY SYSTEM AND MUST BE PROPERLY ENGAGED. DO NOT OPERATE THE APPLIANCE WITH LATCHES DISENGAGED.
FACING AND/OR FINISHING MATERIALS MUST NOT INTERFERE WITH AIR FLOW THROUGH AIR OPENINGS, LOUVRES OPENINGS, OPERATION OF LOUVRES OR DOORS OR ACCESS FOR SERVICE. OBSERVE ALL CLEARANCES WHEN APPLYING COMBUSTIBLE MATERIALS.
BEFORE DOOR IS REMOVED TURN THE APPLIANCE OFF AND WAIT UNTIL APPLIANCE IS COOL TO THE TOUCH. DOORS ARE HEAVY AND FRAGILE SO HANDLE WITH CARE.

75.1



- A. Insert the tool supplied (which is located behind the left side trim) into spring loaded door latch.
- B. Pull and turn the latch 90°.
- C. Release the latch.
- D. Tilt the top of the door forward until you can grab the sides of the door. Lift up and out of the bottom door retainer.
- E. To install, reverse the order of these instructions.



4.3 LOG PLACEMENT

! WARNING

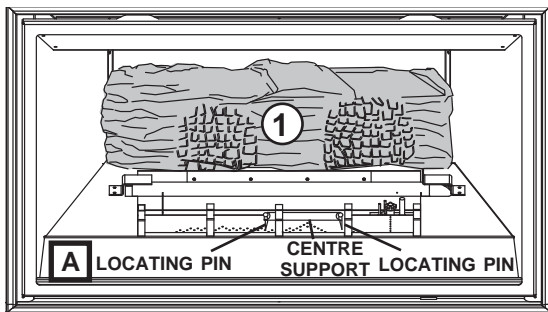
FAILURE TO POSITION THE LOGS IN ACCORDANCE WITH THESE DIAGRAMS OR FAILURE TO USE ONLY LOGS SPECIFICALLY APPROVED WITH THIS APPLIANCE MAY RESULT IN PROPERTY DAMAGE OR PERSONAL INJURY.

LOGS MUST BE PLACED IN THEIR EXACT LOCATION IN THE APPLIANCE. DO NOT MODIFY THE PROPER LOG POSITIONS, SINCE APPLIANCE MAY NOT FUNCTION PROPERLY AND DELAYED IGNITION MAY OCCUR.

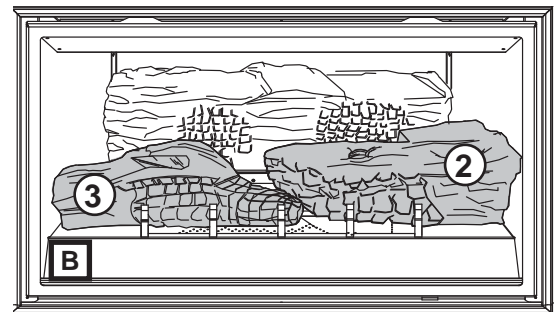
THE LOGS ARE FRAGILE AND SHOULD BE HANDLED WITH CARE.

76.1A

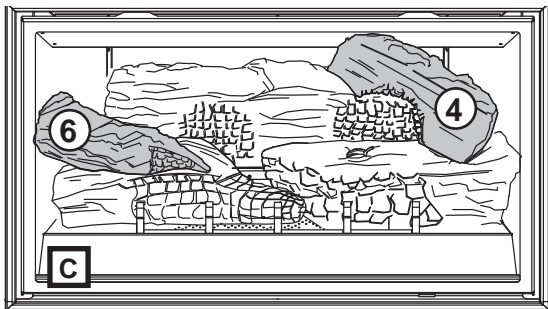
POSITIONING THE LOGS IMPROPERLY WILL CAUSE FLAME IMPINGEMENT AND CARBONING.



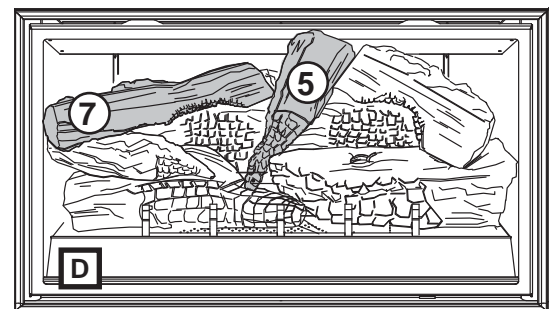
The rear log should be centred on the log support and rest against the rear wall.



Log #3 rests against the far left grate post and onto the locating pin on the centre support. Log #2 rests against the far right grate post and over the locating pin on the centre support and against the tip of log #3. **NOTE: Skewering log#2 onto the locating pin may be necessary.**



Log (#6) has a leg that fits into an indentation on the top of log (#3). Log (#4) rests in the indentations on the tops of logs (#2) and (#1).



Logs (#5) and (#7) fit onto the indentations of the lower logs.

4.4 GLOWING EMBERS

Tear the embers into pieces and place along the front row of ports covering all of the burner area in front of logs (#2 & #3). Care should be taken to shred the embers into thin, small irregular pieces as only the exposed edges of the fibre hairs will glow. **The ember material will only glow when exposed to direct flame; however, care should be taken to not block the burner ports.**

Blocked burner ports can cause an incorrect flame pattern, carbon deposits and delayed ignition. PHAZER™ logs glow when exposed to direct flame. Use only certified "glowing embers" and PHAZER™ logs available from your Napoleon® dealer.

4.5 ALUMINUM EXTRUSION TRIM KIT INSTALLATION

In order to close off the fireplace opening or if the opening is larger than the 3- or 4-sided aluminium extrusion trim kits, it is recommended to reduce the opening using a noncombustible material such as ceramic tile, marble, etc or the GDIBP3 or GDIBP4 backer plate kits. The GDIBP3 backer plate is able to fit an opening of 52" x 33½". The GDIBP4 backer plate is able to fit an opening of 52" x 42¾". The outside edge of the backer plate is finished off with gold trim included in each kit. A GDIBP3D 3 sided deluxe backer plate complete with marquis trim may also be used to complete the installation. This kit is able to fit an opening of 57" x 33½". Detailed installation instructions are included with each kit.

If this appliance is being installed into an existing wood burning, zero clearance fireplace, then be aware of this precaution: **Any circulation air opening may be covered (with material) but not sealed!**

The appliance can be equipped with either a 3- or 4-sided trim kit to finish off the fireplace opening. Slide the trim assembly over the keyholes (2 per side) and drop into place. If installing the optional 3- or 4-sided backer plate (GDIBP3 or GDIBP4), it must be hung prior to the trim kit installation using the same keyholes.



TO ADJUST THE TRIM:

If the mitre is out of alignment, open each side and loosen the two screws at either side trim hinge. Slide the trim up or down to adjust and re-tighten screws. There is also a very slight in/out adjustment that can be made.

NOTE: Since the side panels open and close, to access the controls, a gap is necessary at the mitre joint.

The top trim piece has an adjustable securing bracket which enables the trim to be secured to the firebox shell.



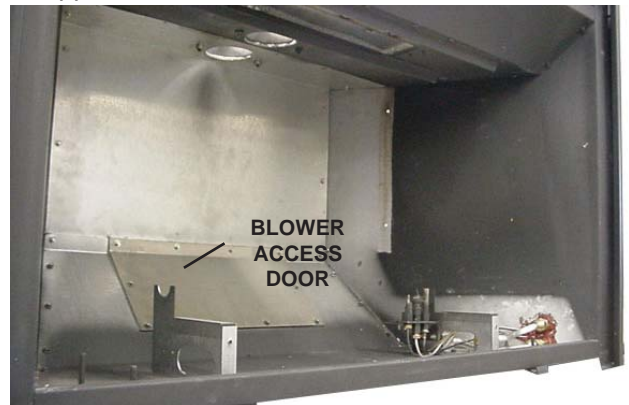
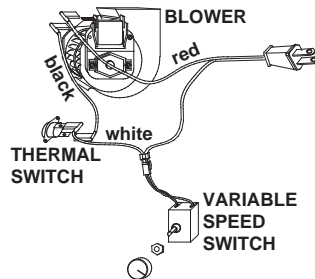
5.0 REPLACEMENT BLOWER INSTALLATION

The Napoleon® gas appliance comes standard with a blower, a heat sensor, variable on/off speed control and a power cord. Because the blower is thermally activated, when turned on, it will automatically start approximately 15 minutes after lighting the appliance and will run for approximately 30 minutes after the appliance has been turned off. Use of the fan increases the output of heat. Air, drawn in through the lower slot, is driven up the back of the firebox, and exhausted as hot air through the upper slot.

A. Turn off the electrical power and the gas supply to the appliance.

B. Remove the fire viewing door. Remove the logs, log support and back wall.

C. Remove the blower access door held on with 10 screws. Replace the blower access door gasket when changing the blower.



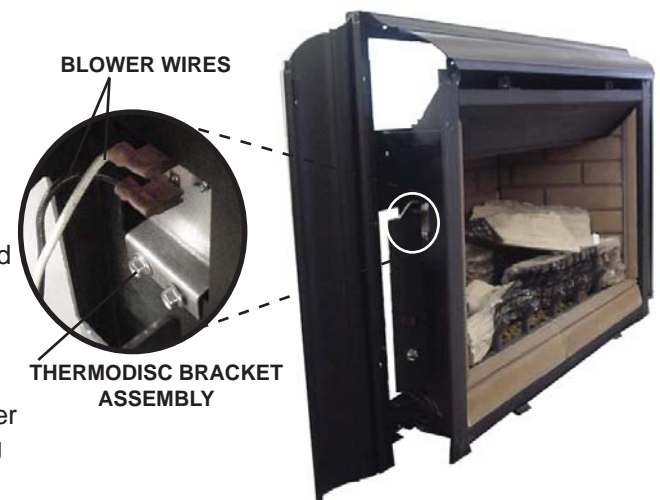
SHOWN WITH LOG SUPPORT AND BACK WALL REMOVED.

D. Disconnect the two blower wires. Remove the blower bracket secured with one wing nut and lock washer. For thermodisc replacement: Remove the "Z" shaped mounting bracket secured to the firebox wall behind the left side control door. Remove the thermodisc from the bracket and replace.



E. Replace the blower using the existing bracket. Slide the vibration reducing pad (A) into the clip (C) and up against the threaded stud (B) at the other end. The blower must be able to be positioned entirely onto the pad.

Slide the blower into the clip (C). Secure to the threaded stud using the existing lock washer and wing nut. Ensure that the blower does not touch the fireplace base or the firebox.



F. Reconnect the two wires. Holding the replacement gasket in place, re-attach the blower access door. Replace the backwall, logs and log support. Reinstall the fire viewing door.




G. Turn the gas supply and electricity back on. Drywall dust will penetrate into the blower bearings causing irreparable damage and must be prevented from coming into contact with the blower or its compartment. Any damage resulting from this condition is not covered by the warranty policy.

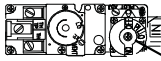


6.0 OPERATION

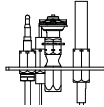
LIGHTING INSTRUCTIONS / INSTRUCTIONS D'ALLUMAGE

WHEN LIGHTING AND RE-LIGHTING, THE GAS KNOB CANNOT BE TURNED FROM PILOT UNLESS THE KNOB IS DEPRESSED.



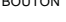
- STOP!** READ THE SAFETY INFORMATION ON THE OPERATING LABEL.
- TURN OFF ALL ELECTRIC POWER TO THE FIREPLACE.
- TURN THE GAS KNOB CLOCKWISE  TO OFF.
- WAIT FIVE (5) MINUTES TO CLEAR OUT ANY GAS. IF YOU SMELL GAS, INCLUDING NEAR THE FLOOR, **STOP!** FOLLOW "B" ON THE OPERATING LABEL. IF YOU DON'T SMELL GAS GO TO THE NEXT STEP.
- IF FIREPLACE IS EQUIPPED WITH FLAME ADJUSTMENT VALVE TURN CLOCKWISE TO OFF.
- FIND PILOT LOCATED IN FRONT OF BACK LOG.
- TURN GAS KNOB COUNTER-CLOCKWISE  TO PILOT.
- DEPRESS AND HOLD GAS KNOB WHILE LIGHTING THE PILOT WITH THE PUSH BUTTON IGNITOR. KEEP KNOB FULLY DEPRESSED FOR ONE MINUTE, THEN RELEASE. IF PILOT DOES NOT CONTINUE TO BURN REPEAT STEPS 3 THROUGH 7.
- WITH PILOT LIT, TURN GAS KNOB COUNTER-CLOCKWISE  TO ON.
- IF EQUIPPED WITH FLAME ADJUSTMENT VALVE, PUSH AND TURN KNOB TO HIGH.
- IF EQUIPPED WITH REMOTE ON-OFF SWITCH, MAIN BURNER MAY NOT COME ON WHEN YOU TURN THE VALVE TO ON OR HIGH. REMOTE SWITCH MUST BE IN THE ON POSITION TO IGNITE BURNER.
- TURN ON ALL ELECTRIC POWER TO THE FIREPLACE.




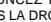
GAS KNOB TO OFF
BOUTON DU GAZ A
"OFF"



LORSQUE LE GAZ EST ALLUME OU RE-ALLUME LE BOUTON DE GAZ NE PEUT PAS ETRE TOURNE DE PILOTE A FERME A MOINS QU'IL SOIT ENFONCE.

- ARRÊTEZ!** LISEZ LES INSTRUCTIONS DE SECURITE SUR L'ETIQUETTE DE FONCTIONNEMENT.
- COUPEZ L'ALIMENTATION ELECTRIQUE AU FOYER.
- TOURNEZ LE BOUTON DE CONTROLE DU GAZ VERS LA DROITE  A "OFF".
- ATTENDEZ CINQ (5) MINUTES AFIN D'EVACUER TOUT LES GAZ. SI VOUS SENTEZ LE GAZ COMPRIS PRES DU REVETEMENT, **ARRÊTEZ!** OBSERVEZ L'ITEM "B" SUR L'ETIQUETTE DE FONCTIONNEMENT. SI VOUS NE SENTEZ PAS LE GAZ, CONTINUEZ A L'ETAPE SUIVANTE.
- SI L'APPAREIL EST MUNI D'UNE SOUPEPE DE REGLAGE DE LA FLAMME, TOURNEZ LE BOUTON VERS LA DROITE A "OFF".
- LOCALISEZ LA VEILLEUSE DEVANT LA BUCHE ARRIERE.
- TOURNE LE BOUTON DU GAZ VERS LA GAUCHE  A PILOTE.
- ENFONCEZ ET GARDEZ LE BOUTON DU GAZ ENFONCE PENDANT QUE VOUS ALLUMEZ LA VEILLEUSE EN PRENFONCE PENDANT UNE MINUTE ET RE-LACHEZ-LE. SI LA VEILLEUSE NE RESTE PAS ALLUMEE, REPETEZ LES ETAPES DE 3 A 7.
- LORSQUE LA VEILLEUSE EST ALLUMEE, TOURNEZ LE BOUTON DU GAZ VERS LA GAUCHE  A "ON".
- SI L'APPAREIL EST MUNI D'UNE SOUPEPE DE REGLAGE DE LA FLAMME, PRESSEZ ET TOURNEZ LE BOUTON A "HIGH".
- SI L'APPAREIL EST MUNI D'UNE INTERRUPTEUR OUVERT/FERME A DISTANCE, LE BRULEUR PRINCIPAL PEUT NE PAS S'ALLUMER QUAND VOUS TOURNEZ LA SOUPEPE OUVERT OU "HIGH". L'INTERRUPTEUR A DISTANCE DOIT ETRE EN POSITION OUVERT POUR QUE LE BRULEUR PRINCIPAL S'ALLUME. RE-ALIMENTEZ L'APPAREIL EN ELECTRICITE.

TO TURN OFF GAS / COUPER L'ALIMENTATION EN GAZ

- | | |
|---|---|
| <ol style="list-style-type: none"> TURN OFF ALL ELECTRIC POWER TO THE FIREPLACE IF SERVICE IS TO BE PERFORMED. PUSH IN GAS CONTROL KNOB SLIGHTLY AND TURN CLOCKWISE  TO OFF. DO NOT FORCE. | <ol style="list-style-type: none"> COUPEZ L'ALIMENTATION ELECTRIQUE AU FOYER SI LE SERVICE EST EFFECTUE. ENFONCEZ LEGEREMENT LE BOUTON DE CONTROLE DU GAZ ET TOURNEZ VERS LA DROITE  A "OFF". NE FORCEZ PAS. |
|---|---|

OPERATING INSTRUCTIONS / INSTRUCTIONS D'OPERATION

FOR YOUR SAFETY READ BEFORE OPERATING / POUR VOTRE SECURITE LIRE AVANT DE FAIRE FONCTIONNER

WARNING: DO NOT TURN ON IF CHILDREN OR OTHER AT RISK INDIVIDUALS ARE NEAR THE FIREPLACE. IF YOU DO NOT FOLLOW THESE INSTRUCTIONS EXACTLY, A FIRE OR EXPLOSION MAY RESULT CAUSING PROPERTY DAMAGE, PERSONAL INJURY OR LOSS OF LIFE. INITIAL LIGHTING OF THE PILOT AND MAIN BURNERS MUST BE DONE WITH THE GLASS DOOR OFF. DO NOT CONNECT VALVE OR WALL SWITCH TO ELECTRICITY. SEE INSTALLATION INSTRUCTIONS.

DO NOT CONNECT VALVE OR WALL SWITCH TO ELECTRICITY. SEE INSTALLATION INSTRUCTIONS.

- A. THIS FIREPLACE IS EQUIPPED WITH A PILOT WHICH MUST BE LIT BY HAND WHILE FOLLOWING THESE INSTRUCTIONS EXACTLY.
- B. BEFORE OPERATING SMELL ALL AROUND THE FIREPLACE AREA FOR GAS AND NEXT TO THE FLOOR BECAUSE SOME GAS IS HEAVIER THAN AIR AND WILL SETTLE ON THE FLOOR.
- WHAT TO DO IF YOU SMELL GAS:**
- TURN OFF ALL GAS TO THE FIREPLACE.
 - OPEN WINDOWS.
 - DO NOT TRY TO LIGHT ANY APPLIANCE.
 - DO NOT TOUCH ANY ELECTRIC SWITCH; DO NOT USE ANY PHONE IN YOUR BUILDING.
 - IMMEDIATELY CALL YOUR GAS SUPPLIER FROM A NEIGHBOUR'S PHONE. FOLLOW THE GAS SUPPLIER'S INSTRUCTIONS.
 - IF YOU CANNOT REACH YOUR GAS SUPPLIER, CALL THE FIRE DEPARTMENT.
- C. USE ONLY YOUR HAND TO TURN THE GAS CONTROL KNOB / MANUAL SHUT-OFF KNOB. NEVER USE TOOLS. IF THE KNOB WILL NOT TURN BY HAND, DO NOT TRY TO REPAIR IT. CALL A QUALIFIED SERVICE TECHNICIAN. FORCE OR ATTEMPTED REPAIR MAY RESULT IN A FIRE OR EXPLOSION.
- D. DO NOT USE THIS FIREPLACE IF ANY PART HAS BEEN UNDER WATER. IMMEDIATELY CALL A QUALIFIED SERVICE TECHNICIAN TO INSPECT THE FIREPLACE AND REPLACE ANY PART OF THE CONTROL SYSTEM AND ANY GAS CONTROL WHICH HAS BEEN UNDER WATER.

ATTENTION: NE PAS ALLUMER SI DES ENFANTS OU D'AUTRES INDIVIDUS A RISQUE SONT A PROXIMITE DU FOYER. QUICQUONQUE NE RESPECTE PAS A LA LETTRE LES INSTRUCTIONS DANS LA PRESENTE NOTICE RISQUE DE DECLANCHER UN INCENDIE OU UN EXPLOSION ENTRAINANT DES DOMMAGES, DES BLESSURES OU LA MORT. L'ALLUMAGE INITIAL DE LA VEILLEUSE ET DU BRULEUR PRINCIPAL DOIT SE FAIRE AVEC LA PORTE VITREE ENLEVEE.

NE RACCORDEZ PAS LA SOUPEPE OU L'INTERRUPTEUR MURAL A L'ELECTRICITE. CONSULTEZ LES INSTRUCTIONS D'INSTALLATION.

- A. CET APPAREIL EST MUNI D'UNE VEILLEUSE QUI DOIT ETRE ALLUMEE MANUELLEMENT. RESPECTEZ LES INSTRUCTIONS CI-DESSOUS A LA LETTRE.
- B. AVANT D'ALLUMER LA VEILLEUSE, RENIFLEZ TOUT AUTOUR DE L'APPAREIL POUR DECELER UNE ODOUR DE GAZ. RENIFLEZ PRES DU PLANCHER. CAR CERTAINS GAZ SONT PLUS LOURDS QUE L'AIR ET PEUVENT S'ACCUMULER AU NIVEAU DU SOL.
- QUE FAIRE SI VOUS SENTEZ UN ODEUR DE GAZ :**
- COUPEZ ENTIEREMENT L'ALIMENTATION DE GAZ PRINCIPALE.
 - OUVREZ LES FENETRES.
 - NE PAS TENTER D'ALLUMER D'APPAREIL.
 - NE TOUCHEZ A AUCUN INTERRUPTEUR ; NE PAS VOUS SERVIR DES TELEPHONES SE TROUVANT DANS LE BATIMENT.
 - APPELEZ IMMEDIATEMENT VOTRE FOURNISSEUR DE GAZ DEPUIS UN VOISIN. SUIVEZ LES INSTRUCTIONS DU FOURNISSEUR.
 - SI VOUS NE POUVEZ REJOINDRE LE FOURNISSEUR, APPELEZ LE SERVICE DES INCENDIES.
- C. NE POUSSER OU TOURNER LA MANETTE D'ADMISSION DU GAZ QU'A LA MAIN. NE JAMAIS EMPLOYER D'OUTIL A CETTE FIN. SI LA MANETTE RESTE COINCÉE, NE TENTEZ PAS DE LA REPARER; APPELEZ UN TECHNICIEN QUALIFIE. QUICQUONQUE TENTE DE FORCER LA MANETTE OU DE LA REPARER PEUT PROVOQUER UNE EXPLOSION OU UN INCENDIE.
- D. N'UTILISEZ PAS CET APPAREIL S'IL A ÉTÉ PLONGÉ DANS L'EAU, MÊME PARTIELLEMENT. FAITES INSPECTER L'APPAREIL PAR UN TECHNICIEN QUALIFIE ET REMPLACEZ TOUTE PARTIE DU SYSTEME DE CONTROLE ET TOUTE COMMANDE QUI ONT ÉTÉ PLONGÉS DANS L'EAU.

W385-0201/C

6.1 REAR BURNER CONTROL

The purpose of the rear burner is to increase heat output or BTUs of the appliance and will only operate when the main burner is functioning. To turn the rear burner on, simply depress the burner control knob (located in the valve compartment at the left hand side below the piezo ignitor) and rotate the knob counter-clockwise to 'high'. In order to achieve maximum turn down rate, the rear burner must be turned off.



Rear burner
control knob

7.0 ADJUSTMENTS

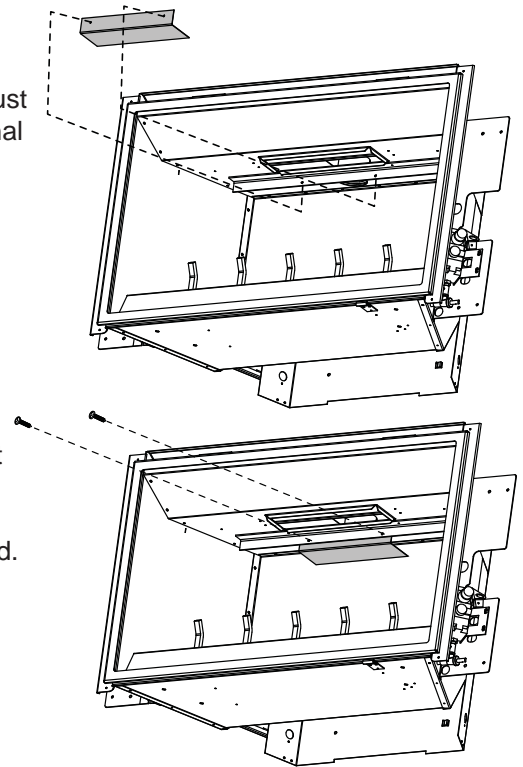
7.1 VENT RESTRICTION

Vertical terminations running longer than fifteen feet may display a very active flame. When this is not desirable, a vent restrictor could be installed. This restrictor plate will reduce the velocity of the exhaust gases, slowing down the flame pattern and creating a more traditional appearance.

- A. Remove the glass viewing door and logs.
- B. Secure the restrictor plate as described.
- C. Replace logs and viewing door.

Line up the holes on the vent restrictor with the holes on the bracket attached to the roof of the firebox.

Secure the vent restrictor into position using the two screws supplied.



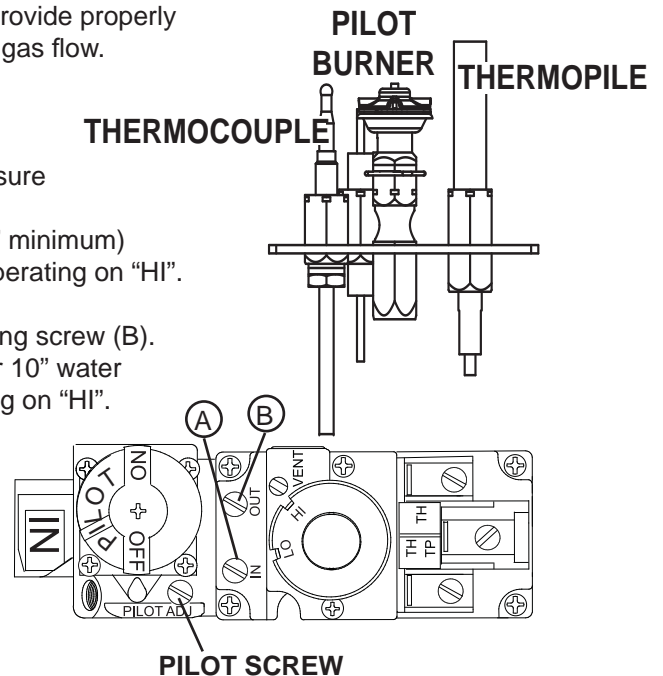
7.2 PILOT BURNER ADJUSTMENT

Remove the pilot screw cap. Adjust the pilot screw to provide properly sized flame. Turn in a clockwise direction to reduce the gas flow. Re-install the pilot screw cap.

Inlet pressure can be checked by turning screw (A) counter-clockwise until loosened and then placing pressure gauge tubing over the test point. Gauge should read 7" (minimum 4.5") water column for natural gas or 13" (11" minimum) water column for propane. Check that main burner is operating on "HI".

Outlet pressure can be checked the same as above using screw (B). Gauge should read 3.5" water column for natural gas or 10" water column for propane. Check that main burner is operating on "HI".

AFTER TAKING PRESSURE READINGS, TIGHTEN SCREWS FIRMLY TO SEAL. DO NOT OVER TORQUE. LEAK TEST.



7.3 VENTURI ADJUSTMENT

This appliance is approved for use with a 2" liner for air intake and a 3" liner for exhaust. For best performance, however, it is recommended to use two 3" liners.

Air shutter settings will differ depending on the liner system used. Use the charts below to determine the correct air shutter setting:

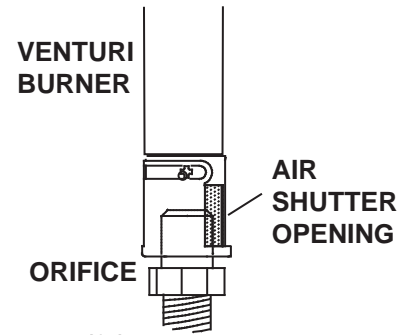
		3" / 3" LINER SYSTEM	
		FRONT	REAR
NG		1/16"	3/16"
LP		3/16"	7/16"
AIR SHUTTER SETTING			

		2" / 3" LINER SYSTEM	
		FRONT	REAR
NG		1/8"	1/4"
LP		1/4"	5/8"
AIR SHUTTER SETTING			

This appliance has an air shutter that has been factory set open according to the chart below:

Regardless of venturi orientation, closing the air shutter will cause a more yellow flame, but can lead to carboning. Opening the air shutter will cause a more blue flame, but can cause flame lifting from the burner ports. The flame may not appear yellow immediately; allow 15 to 30 minutes for the final flame colour to be established.

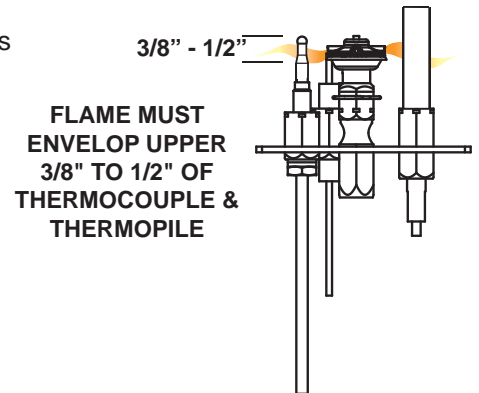
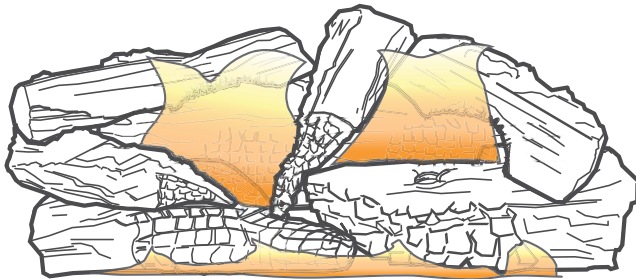
AIR SHUTTER ADJUSTMENT MUST ONLY BE DONE BY A QUALIFIED INSTALLER!



49.1

7.4 FLAME CHARACTERISTICS

It's important to periodically perform a visual check of the pilot and burner flames. Compare them to the illustrations provided. If any flames appear abnormal call a service person.



54.2

8.0 MAINTENANCE

WARNING

TURN OFF THE GAS AND ELECTRICAL POWER BEFORE SERVICING THE APPLIANCE.

APPLIANCE MAY BE HOT, DO NOT SERVICE UNTIL APPLIANCE HAS COOLED.

DO NOT USE ABRASIVE CLEANERS.

CAUTION: Label all wires prior to disconnection when servicing controls. Wiring errors can cause improper and dangerous operation. Verify proper operation after servicing. This appliance and its venting system should be inspected before use and at least annually by a qualified service person. The appliance area must be kept clear and free of combustible materials, gasoline or other flammable vapors and liquids. The flow of combustion and ventilation air must not be obstructed.

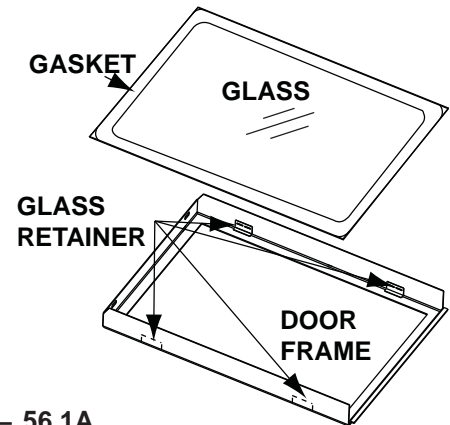
1. In order to properly clean the burner and pilot assembly, remove the logs, rocks and/or glass to expose both assemblies.
2. Keep the control compartment, media, burner, air shutter opening and the area surrounding the logs clean by vacuuming or brushing, at least once a year.
3. Check to see that all burner ports are burning. Clean out any of the ports which may not be burning or are not burning properly.
4. Check to see that the pilot flame is large enough to engulf the flame sensor and/or thermocouple / thermopile as well as reaches the burner.
5. Replace the cleaned logs, rocks or glass. Failure to properly position the media may cause carboning which can be distributed in the surrounding living area.
6. Check to see that the main burner ignites completely on all openings when turned on. A 5 to 10 second total light-up period is satisfactory. If ignition takes longer, consult your local authorized dealer / distributor.
7. Check that the gasketing on the sides, top and bottom of the door is not broken or missing. Replace if necessary.
8. If for any reason the vent air intake system is disassembled, re-install and re-seal per the instructions provided for the initial installation.

40.1

8.1 DOOR GLASS REPLACEMENT

! WARNING
DO NOT USE SUBSTITUTE MATERIALS.
GLASS MAY BE HOT, DO NOT TOUCH GLASS UNTIL COOLED.
CARE MUST BE TAKEN WHEN REMOVING AND DISPOSING OF ANY BROKEN DOOR GLASS OR DAMAGED COMPONENTS. BE SURE TO VACUUM UP ANY BROKEN GLASS FROM INSIDE THE APPLIANCE BEFORE OPERATION.
DO NOT STRIKE, SLAM OR SCRATCH GLASS. DO NOT OPERATE APPLIANCE WITH GLASS REMOVED, CRACKED, BROKEN OR SCRATCHED.

- A. Place the door frame face down careful not to scratch the paint.
- B. Center the gasketed glass inside the door frame with the thick side of the gasket facing up.
- C. Bend the glass retainers located along the edge of the door frame over the gasket holding the glass in place. Careful not to break the glass.



56.1A

8.2 CARE OF GLASS

DO NOT CLEAN GLASS WHEN HOT! DO NOT USE ABRASIVE CLEANERS TO CLEAN GLASS.

Buff lightly with a clean dry soft cloth. Clean both sides of the glass after the first 10 hours of operation with a recommended fireplace glass cleaner. Thereafter clean as required. If the glass is not kept clean permanent discoloration and / or blemishes may result.

! WARNING	
	<p>HOT GLASS WILL CAUSE BURNS.</p> <p>DO NOT TOUCH GLASS UNTIL COOLED.</p> <p>NEVER ALLOW CHILDREN TO TOUCH GLASS.</p>

5.1

8.3 CARE OF PLATED PARTS

If the appliance is equipped with plated parts, you must clean fingerprints or other marks from the plated surfaces before operating the appliance for the first time. Use a glass cleaner or vinegar and towel to clean. If not cleaned properly before operating for the first time, the marks can cause permanent blemishes on the plating. After the plating is cured, the fingerprints and oils will not affect the finish and little maintenance is required, just wipe clean as needed. Prolonged high temperature burning with the door ajar may cause discoloration on plated parts.

NOTE: The protective wrap on plated parts is best removed when the assembly is at room temperature but this can be improved if the assembly is warmed, using a hair dryer or similar heat source.

6.1

9.0 REPLACEMENTS

WARNING

FAILURE TO POSITION THE PARTS IN ACCORDANCE WITH THIS MANUAL OR FAILURE TO USE ONLY PARTS SPECIFICALLY APPROVED WITH THIS APPLIANCE MAY RESULT IN PROPERTY DAMAGE OR PERSONAL INJURY.

**** THIS IS A FAST ACTING THERMOCOUPLE. IT IS AN INTEGRAL SAFETY COMPONENT. REPLACE ONLY WITH A FAST ACTING THERMOCOUPLE SUPPLIED BY WOLF STEEL LTD.**

Contact your dealer or the factory for questions concerning prices and policies on replacement parts. Normally all parts can be ordered through your Authorized dealer / distributor.

FOR WARRANTY REPLACEMENT PARTS, A PHOTOCOPY OF THE ORIGINAL INVOICE WILL BE REQUIRED TO HONOUR THE CLAIM.

When ordering replacement parts always give the following information:

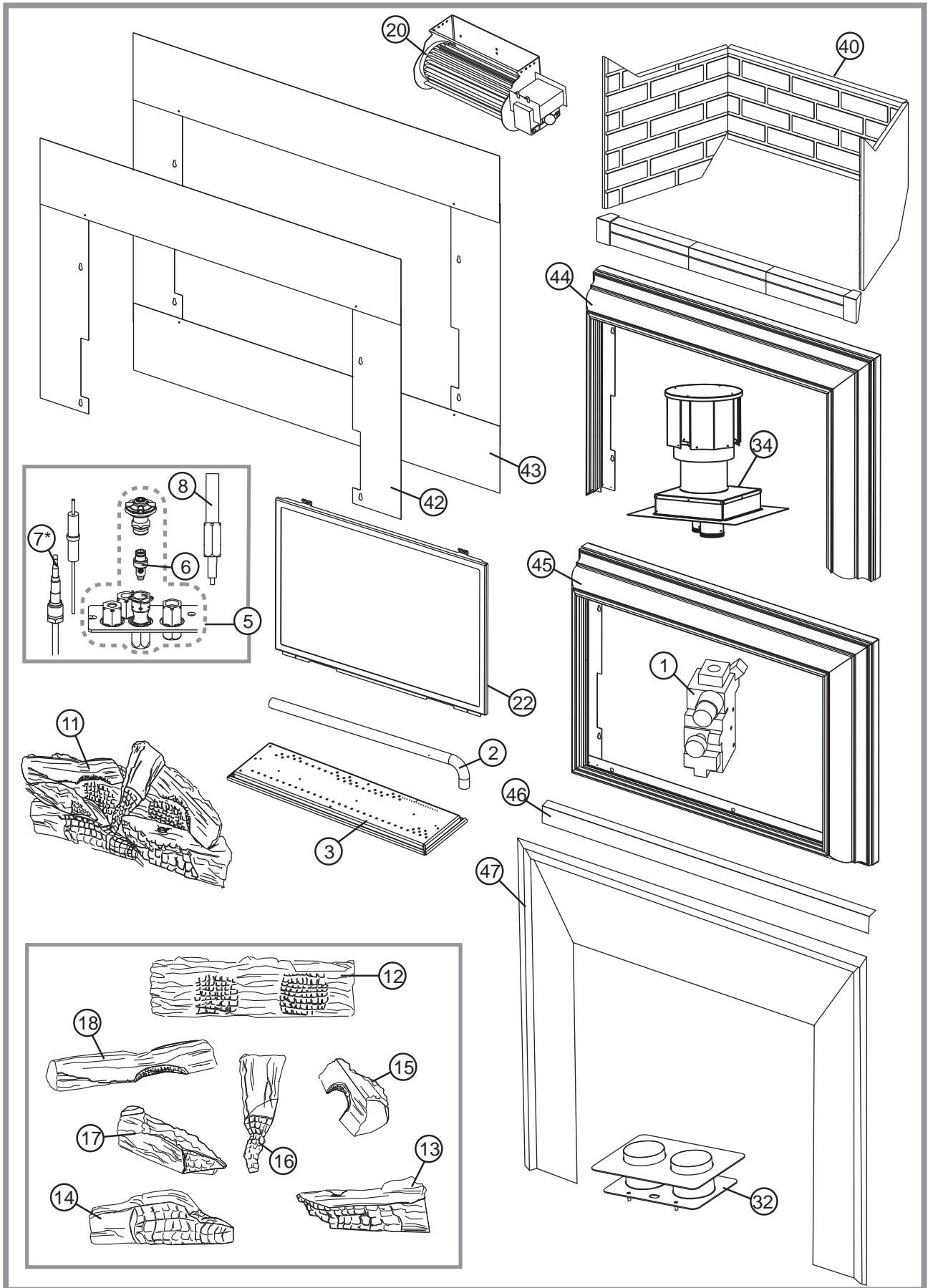
- Model & Serial Number of appliance
- Installation date of appliance
- Part number
- Description of part
- Finish

*** IDENTIFIES ITEMS WHICH ARE NOT ILLUSTRATED. FOR FURTHER INFORMATION, CONTACT YOUR AUTHORIZED DEALER.** _____ 41.2

COMPONENTS

REF NO.	PART NO.	DESCRIPTION
1	W725-0039	RBT SHAW VALVE - NG
1	W725-0040	RBT SHAW VALVE - LP
2	W100-0075	BURNER TUBE
3	W010-0893	BURNER PAN
4*	W456-0045	#45 FRONT BURNER ORIFICE - NG
4*	W456-0056	#56 FRONT BURNER ORIFICE - LP
4*	W456-0042	#42 REAR BURNER ORIFICE - NG
4*	W456-0053	#53 REAR BURNER ORIFICE - LP
5	W010-0800	PILOT ASSEMBLY - LP
5	W010-0801	PILOT ASSEMBLY - NG
6	W455-0068	PILOT INJECTOR - LP
6	W455-0070	PILOT INJECTOR - NG
7**	W680-0005	THERMOCOUPLE
8	W680-0004	THERMOPILE
9*	W573-0007	HIGH TEMPERATURE SEALANT
10*	W357-0001	PIEZO IGNITOR
11	GL-635	LOG SET COMPLETE
12	W135-0030	LOG # 1
13	W135-0160	LOG # 2
14	W135-0161	LOG # 3
15	W135-0033	LOG # 4
16	W135-0034	LOG # 5
17	W135-0035	LOG # 6
18	W135-0036	LOG # 7
19*	W361-0016	GLOWING EMBERS
20	GZ552	BLOWER
21*	W385-0334	NAPOLEON® LOGO
22	W010-2025	DOOR C/W GLASS

COMPONENTS		
REF NO.	PART NO.	DESCRIPTION
23*	W290-0063	BLOWER ACCESS GASKET
24*	W430-0013	MAGNETIC CLOSURE
25*	W660-0009	ON/OFF SWITCH
26*	W690-0002	THERMAL DISC
27*	W380-0002	VARIABLE SPEED SWITCH KNOB
28*	W660-0019	VARIABLE SPEED SWITCH
29*	W450-0023	PAL NUT
30*	W730-0024	3" STAINLESS FLEX LINER X 3'
31*	W175-0204	3" COUPLER
32	W010-0888	VENT CONNECTION ASSEMBLY
33*	W290-0076	VENT CONNECTION ASSEMBLY GASKET
TERMINAL KITS		
REF NO.	PART NO.	DESCRIPTION
34	GDI-226	TERMINAL KIT
VENT KITS		
REF NO.	PART NO.	DESCRIPTION
1-2" & 1-3" DOUBLE PLY ALUMINUM LINER-INLET AND EXHAUST & 2-3" TO 2" REDUCER:		
35*	GDI-2320KT	VENT KIT 20FT
35*	GDI-2325KT	VENT KIT 25FT
35*	GDI-2335KT	VENT KIT 35FT
2-3" DOUBLE PLY ALUMINUM LINER-INLET AND EXHAUST:		
36*	GDI-320KT	VENT KIT 20FT
36*	GDI-325KT	VENT KIT 25FT
36*	GDI-335KT	VENT KIT 35FT
ACCESSORIES		
REF NO.	PART NO.	DESCRIPTION
37*	W690-0001	MILLIVOLT THERMOSTAT
38*	W660-0010B	REMOTE CONTROL - ADVANTAGE
38*	W660-0011B	REMOTE CONTROL - ADVANTAGE PLUS
39*	GD660	REMOTE WALL SWITCH C/W 20FT WIRE
40	GI826KT	DECORATIVE BRICK PANELS
41*	W175-0202	NATURAL GAS TO PROPANE CONVERSION KIT
42	GDIBP3	3 SIDED BACKER PLATE C/W ACCENT TRIM
43	GDIBP4	4 SIDED BACKER PLATE C/W ACCENT TRIM
44	GDITRM3	ALUMINIUM EXTRUSION - MATTE BLACK
44	GDITRM3-K	ALUMINIUM EXTRUSION - POLISHED BLACK
44	GDITRM3-B	ALUMINIUM EXTRUSION - POLISHED BRASS
45	GDITRM4	ALUMINIUM EXTRUSION - MATTE BLACK
45	GDITRM4-K	ALUMINIUM EXTRUSION - POLISHED BLACK
45	GDITRM4-B	ALUMINIUM EXTRUSION - POLISHED BRASS
46	GDIUT	UPPER DOOR TRIM - BRASS
46	GDIUT-G	UPPER DOOR TRIM - GOLD
47	GDIBP3D	BACKER PLATE 3 SIDED DELUXE



10.0 TROUBLE SHOOTING

! WARNING

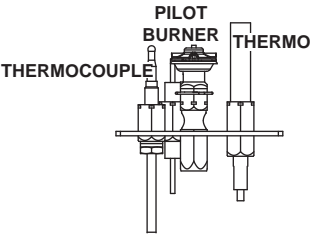
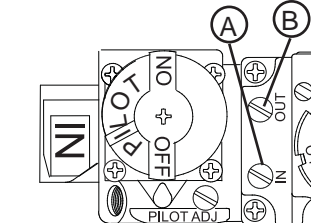
ALWAYS LIGHT THE PILOT WHETHER FOR THE FIRST TIME OR IF THE GAS SUPPLY HAS RAN OUT, WITH THE GLASS DOOR OPEN OR REMOVED.

TURN OFF THE GAS AND ELECTRICAL POWER BEFORE SERVICING THE APPLIANCE.

APPLIANCE MAY BE HOT, DO NOT SERVICE UNTIL APPLIANCE HAS COOLED.

DO NOT USE ABRASIVE CLEANERS.

SYMPTOM	PROBLEM	TEST SOLUTION
Main burner goes out; pilot stays on.	Pilot flame is not large enough or not engulfing the thermopile.	<ul style="list-style-type: none"> - Turn up the pilot flame. - Replace pilot assembly.
	Thermopile shorting.	<ul style="list-style-type: none"> - Clean thermopile connection to the valve. Reconnect. - Replace thermopile / valve.
	Remote wall switch wire is too long; too much resistance in the system.	<ul style="list-style-type: none"> - Shorten wire to correct length or wire gauge.
	Faulty thermostat or switch.	<ul style="list-style-type: none"> - Replace.
Main burner goes out; pilot goes out.	Refer to "MAIN BURNER GOES OUT; PILOT STAYS ON"	
	Vent is blocked	<ul style="list-style-type: none"> - Check for vent blockage.
	Vent is re-circulating	<ul style="list-style-type: none"> - Check joint seals and installation
	Flexible vent has become disconnected from appliance.	<ul style="list-style-type: none"> - Re-attach to appliance. - Cap was not replaced.
Pilot goes out when the gas knob is released. The gas valve has an interlock device which will not allow the pilot burner to be lit until the thermocouple has cooled. Allow approximately 60 seconds for the thermocouple to cool.	System is not correctly purged	<ul style="list-style-type: none"> - Purge the gas line.
	Out of propane gas.	<ul style="list-style-type: none"> - Fill the tank.
	Pilot flame is not large enough.	<ul style="list-style-type: none"> - Turn up the pilot flame.
	Pilot flame is not engulfing the thermocouple	<ul style="list-style-type: none"> - Gently twist the pilot head to improve the flame pattern around the thermocouple.
	Thermocouple shorting / faulty.	<ul style="list-style-type: none"> - Loosen and tighten thermocouple. - Clean thermocouple and valve connection. - Replace thermocouple. - Replace valve.
	Faulty valve.	<ul style="list-style-type: none"> - Replace.
Pilot burning; no gas to main burner; gas knob is on 'HI'; wall switch / thermostat is on.	Thermostat or switch is defective	<ul style="list-style-type: none"> - Connect a jumper wire across the wall switch terminals; if main burner lights, replace switch / thermostat.
	Wall switch wiring is defective.	<ul style="list-style-type: none"> - Disconnect the switch wires & connect a jumper wire across terminals 1 & 3; if the main burner lights, check the wires for defects and/or replace wires.
	Main burner orifice is plugged.	<ul style="list-style-type: none"> - Remove stoppage in orifice.
	Faulty valve.	<ul style="list-style-type: none"> - Replace.
Pilot goes out while standing; Main burner is in 'OFF' position.	Gas piping is undersized.	<ul style="list-style-type: none"> - Turn on all gas appliances and see if pilot flame flutters, diminishes or extinguishes, especially when main burner ignites. Monitor appliance supply working pressure. - Check if supply piping size is to code. Correct all undersized piping.
Main burner flame is a blue, lazy, transparent flame.	Blockage in vent.	<ul style="list-style-type: none"> - Remove blockage. In really cold conditions, ice buildup may occur on the terminal and should be removed as required. To minimize this from happening again, it is recommended that the vent lengths that pass through unheated spaces (attics, garages, crawl spaces) be wrapped with an insulated mylar sleeve. Prevent sleeve from sagging. Contact your local authorized dealer for more information.

SYMPTOM	PROBLEM	TEST SOLUTION
Pilot will not light.	No spark at pilot burner.	<ul style="list-style-type: none"> - Check if pilot can be lit by a match. - Check that the wire is connected to the push button igniter. - Check if the push button igniter needs tightening. - Replace the wire if the wire insulation is broken or frayed. - Replace the electrode if the ceramic insulator is cracked or broken. - Replace the push button ignitor
	Out of propane gas.	<ul style="list-style-type: none"> - Fill the tank.
	Spark gap is incorrect.	<ul style="list-style-type: none"> - Spark gap should be 0.150" to 0.175" (5/32" to 11/64" approx.) from the electrode tip and the pilot burner. To ensure proper electrode location, tighten securing nut (finger tight plus 1/4 turn).
	No gas at the pilot burner.	<ul style="list-style-type: none"> - Check that the manual valve is turned on. - Check the pilot orifice for blockage. - Replace the valve. - Call the gas distributor.
Flames are consistently too large or too small. Carboning occurs.	Unit is over-fired or underfired.	<ul style="list-style-type: none"> - Check pressure readings: - Inlet pressure can be checked by turning screw (A) counter-clockwise 2 or 3 turns and then placing pressure gauge tubing over the test point. Gauge should read 7" (minimum 4.5") water column for natural gas or 13" (minimum 11") water column for propane. Check with main burner is operating on 'HI'. - Outlet pressure can be checked the same as above using screw (B). Gauge should read 3.5" water column for natural gas or 10" water column for propane. Check that main burner is operating on 'HI'. - AFTER TAKING PRESSURE READINGS, BE SURE TO TURN SCREWS CLOCKWISE FIRMLY TO RESEAL. DO NOT OVER TORQUE. - Leak test with a soap and water solution.
	Flames are very aggressive.	<ul style="list-style-type: none"> - Door is ajar. - Ensure the mechanical means of securing the door is providing a tight seal.
	Carbon is being deposited on glass, logs or combustion chamber surfaces.	<ul style="list-style-type: none"> - Air shutter has become blocked. - Ensure air shutter opening is free of lint or other obstructions. - Flame is impinging on the logs or combustion chamber. - Check that the logs are correctly positioned. - Open air shutter to increase the primary air. - Check the input rate: check the manifold pressure and orifice size as specified by the rating plate values. - Check that the door gasketing is not broken or missing and that the seal is tight. - Check that both vent liners are free of holes and well sealed at all joints. - Check that minimum rise per foot has been adhered to for any horizontal venting.
White / grey film forms.	Sulphur from fuel is being deposited on glass, logs or combustion chamber surfaces.	<ul style="list-style-type: none"> - Clean the glass with a recommended gas appliance glass cleaner. - DO NOT CLEAN GLASS WHEN HOT. - If deposits are not cleaned off regularly, the glass may become permanently marked.
Exhaust fumes smelled in room, headaches.	Appliance is spilling.	<ul style="list-style-type: none"> - Ensure exhaust bracket gasket seal. - Check door seal and relief flap seal. - Check for chimney blockage. - Check that chimney is installed to building code. - Room is in negative pressure; increase fresh air supply. - Check cap gasket on the flue pipe assembly.
Remote wall switch is in 'OFF' position; main burner comes on when gas knob is turned to 'ON' position.	Wall switch is mounted upside down.	<ul style="list-style-type: none"> - Reverse.
	Remote wall switch is grounding.	<ul style="list-style-type: none"> - Replace.
	Remote wall switch wire is grounding.	<ul style="list-style-type: none"> - Check for ground (short); repair ground or replace wire.
	Faulty valve.	<ul style="list-style-type: none"> - Replace.

11.0 WARRANTY

NAPOLEON® products are manufactured under the strict Standard of the world recognized ISO 9001 : 2008 Quality Assurance Certificate.

NAPOLEON® products are designed with superior components and materials assembled by trained craftsmen who take great pride in their work. The burner and valve assembly are leak and test-fired at a quality test station. The complete appliance is again thoroughly inspected by a qualified technician before packaging to ensure that you, the customer, receives the quality product that you expect from NAPOLEON®.

NAPOLEON® GAS APPLIANCE PRESIDENT'S LIFETIME LIMITED WARRANTY

The following materials and workmanship in your new NAPOLEON® gas appliance are warranted against defects for as long as you own the appliance. This covers: combustion chamber, heat exchanger, stainless steel burner, phazer™ logs and embers, rocks, ceramic glass (thermal breakage only), gold plated parts against tarnishing, porcelainized enameled components and aluminum extrusion trims.*

Electrical (110V and millivolt) components and wearable parts such as blowers, gas valves, thermal switch, switches, wiring, remote controls, ignitor, gasketing, and pilot assembly are covered and NAPOLEON® will provide replacement parts free of charge during the first year of the limited warranty.*

Labour related to warranty repair is covered free of charge during the first year. Repair work, however, requires the prior approval of an authorized company official. Labour costs to the account of NAPOLEON® are based on a predetermined rate schedule and any repair work must be done through an authorized NAPOLEON® dealer.

* Construction of models vary. Warranty applies only to components included with your specific appliance.

CONDITIONS AND LIMITATIONS

NAPOLEON® warrants its products against manufacturing defects to the original purchaser only. Registering your warranty is not necessary. Simply provide your proof of purchase along with the model and serial number to make a warranty claim. NAPOLEON® reserves the right to have its representative inspect any product or part thereof prior to honouring any warranty claim. Provided that the purchase was made through an authorized NAPOLEON® dealer your appliance is subject to the following conditions and limitations:

Warranty coverage begins on the date of original installation.

This factory warranty is non-transferable and may not be extended whatsoever by any of our representatives.

The gas appliance must be installed by a licensed, authorized service technician or contractor. Installation must be done in accordance with the installation instructions included with the product and all local and national building and fire codes.

This limited warranty does not cover damages caused by misuse, lack of maintenance, accident, alterations, abuse or neglect and parts installed from other manufacturers will nullify this warranty.

This limited warranty further does not cover any scratches, dents, corrosion or discoloring caused by excessive heat, abrasive and chemical cleaners nor chipping on porcelain enamel parts, mechanical breakage of PHAZER™ logs and embers.

This warranty extends to the repair or replacement of warranted parts which are defective in material or workmanship provided that the product has been operated in accordance with the operation instructions and under normal conditions.

After the first year, with respect to this President's Lifetime Limited Warranty, NAPOLEON® may, at its discretion, fully discharge all obligations with respect to this warranty by refunding to the original warranted purchaser the wholesale price of any warranted but defective part(s).

NAPOLEON® will not be responsible for installation, labour or any other expenses related to the reinstallation of a warranted part and such expenses are not covered by this warranty.

Notwithstanding any provisions contained in the President's Lifetime Limited Warranty, NAPOLEON'S responsibility under this warranty is defined as above and it shall not in any event extend to any incidental, consequential or indirect damages.

This warranty defines the obligations and liability of NAPOLEON® with respect to the NAPOLEON® gas appliance and any other warranties expressed or implied with respect to this product, its components or accessories are excluded.

NAPOLEON® neither assumes, nor authorizes any third party to assume, on its behalf, any other liabilities with respect to the sale of this product.

NAPOLEON® will not be responsible for: over-firing, downdrafts, spillage caused by environmental conditions such as rooftops, buildings, nearby trees, hills, mountains, inadequate vents or ventilation, excessive venting configurations, insufficient makeup air, or negative air pressures which may or may not be caused by mechanical systems such as exhaust fans, furnaces, clothes dryers, etc.

Any damages to the appliance, combustion chamber, heat exchanger, plated trim or other components due to water, weather damage, long periods of dampness, condensation, damaging chemicals or cleaners will not be the responsibility of NAPOLEON®.

All parts replaced under the President's Limited Lifetime Warranty Policy are subject to a single claim.

During the first 10 years NAPOLEON® will replace or repair the defective parts covered by the lifetime warranty at our discretion free of charge. From 10 years to life, NAPOLEON® will provide replacement parts at 50% of the current retail price.

All parts replaced under the warranty will be covered for a period of 90 days from the date of their installation.

The manufacturer may require that defective parts or products be returned or that digital pictures be provided to support the claim. Returned products are to be shipped prepaid to the manufacturer for investigation. If a product is found to be defective, the manufacturer will repair or replace such defect.

Before shipping your appliance or defective components, your dealer must obtain an authorization number. Any merchandise shipped without authorization will be refused and returned to sender.

Shipping costs are not covered under this warranty.

Additional service fees may apply if you are seeking warranty service from a dealer.

Warranty labour allowance is only for the replacement of the warranted part. Travel, diagnostic tests, shipping and other related charges are not covered by this warranty.

ALL SPECIFICATIONS AND DESIGNS ARE SUBJECT TO CHANGE WITHOUT PRIOR NOTICE DUE TO ON-GOING PRODUCT IMPROVEMENTS. NAPOLEON® IS A REGISTERED TRADEMARK OF WOLF STEEL LTD.

